



TAKE THE BEST®
SIHGA
www.sihga.com

IdeFix® IF / IFD
SAFETY IN TIMBER QUARANTEES THE EXTRAORDINARY

MA Nr. 38401/20/1

assiourasbros
advanced wood technology

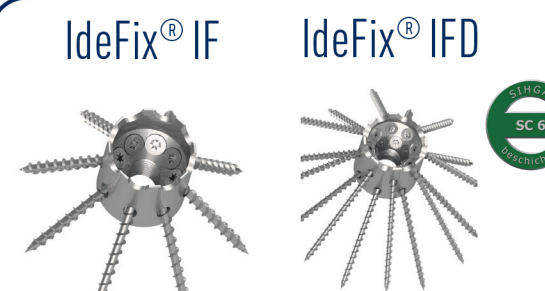
SHOWROOM: 19.5 klm Marathonos Av., 153 51, Pallini, Athens - Greece, T. +30 2106139821, info@assiourasbros.gr

WAREHOUSE: 3, Diouvounioti Str., 153 51, Pallini, Athens - Greece, T. +30 2106039845, www.assiourasbros.gr


TAKE THE BEST®
SIHGA

SIHGA® GmbH | 4694 Ohlsdorf bei Gmunden | AUSTRIA
Tel.: +43 7612 - 74 370 - 0 | Fax DW 10 | E-Mail: info@sihga.com | www.sihga.com

IdeFix® IF **IdeFix® IFD**

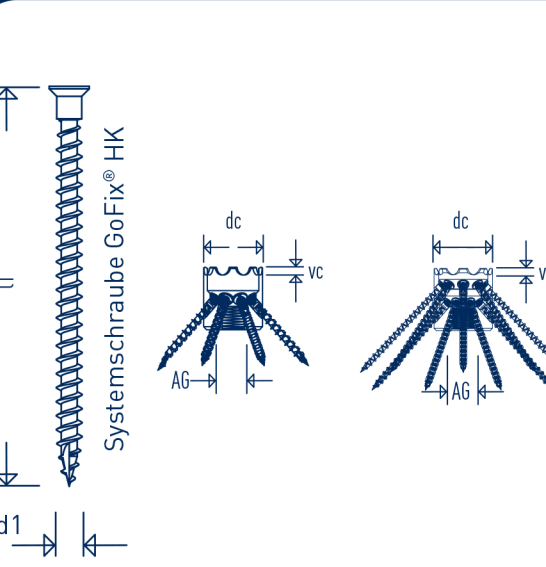


GoFix® HK **SIHGAFIX®**



SIHGA® SC 6 DRÄHTHIEBER

Systemschraube GoFix® HK



Dimensions: u , $d1$, dc , vc , AG

IdeFix® IF / IFD **GoFix® HK** **HH** **HB**

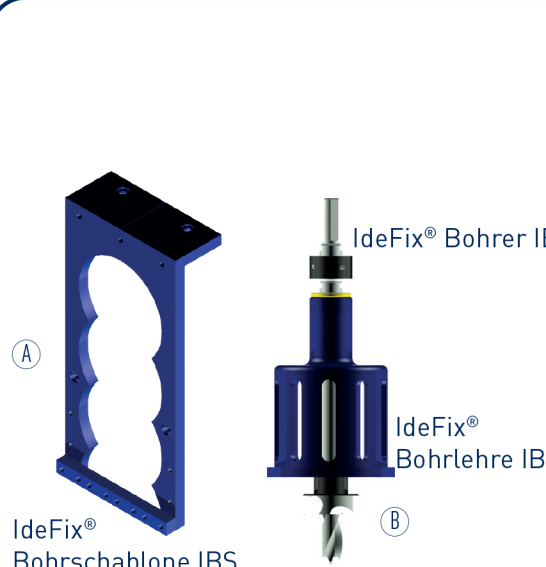
Type	dc	vc	AG	d1	l1	[mm]	[mm]
IF 304	30	3	12	5,0	40	100	100
IF 306	30	3	12	5,0	60	120	120
IF 308	30	3	12	5,0	80	140	140
IF 406	40	5	16	6,0	60	120	120
IF 408	40	5	16	6,0	80	160	160
IF 410	40	5	16	6,0	100	180	180
IF 509	50	5	20	8,0	90	160	160
IFD 508	50	5	20	8,0	80	160	160
IFD 510	50	5	20	8,0	100	200	200

Dimensions: HB , HH

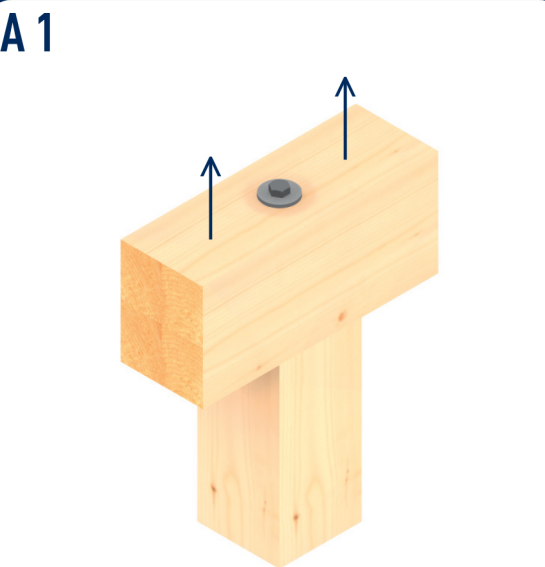
IdeFix® Bohrer IB

IdeFix® Bohrlehre IBL

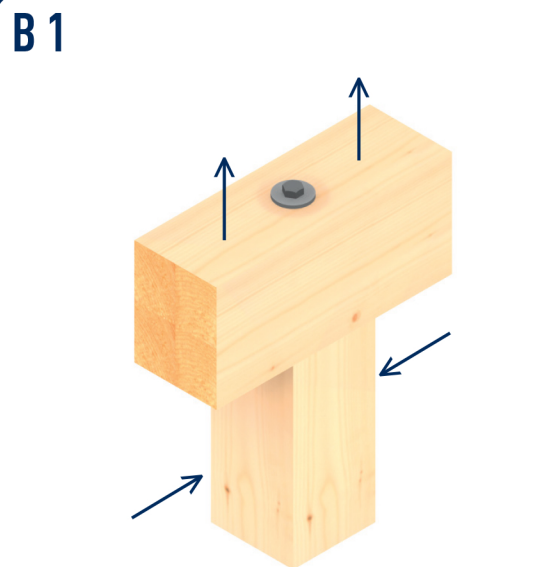
IdeFix® Bohrschablone IBS



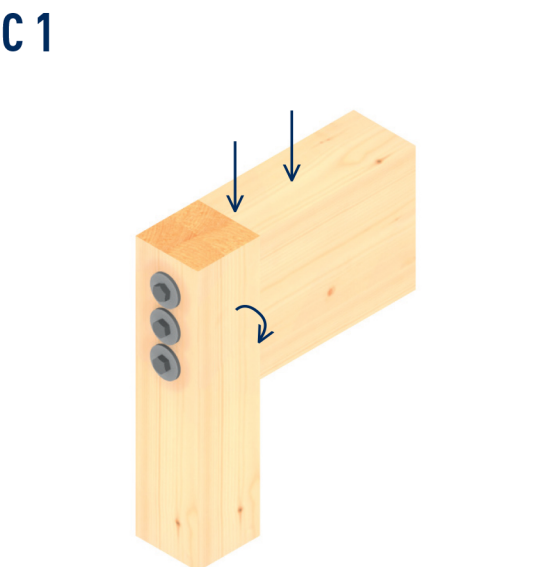
A1




B1



C1



A2

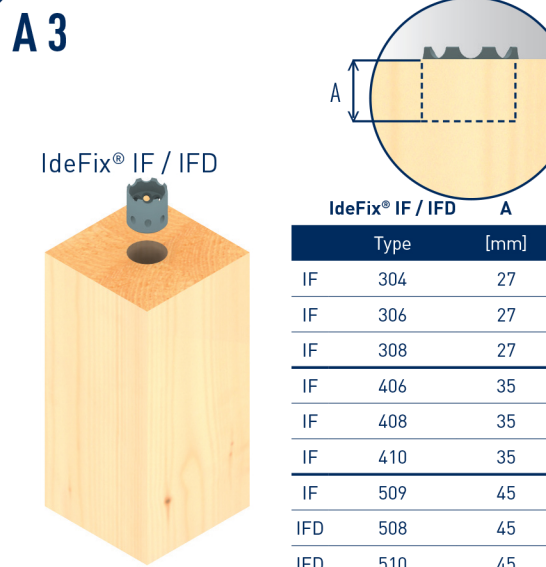


A3

IdeFix® IF / IFD

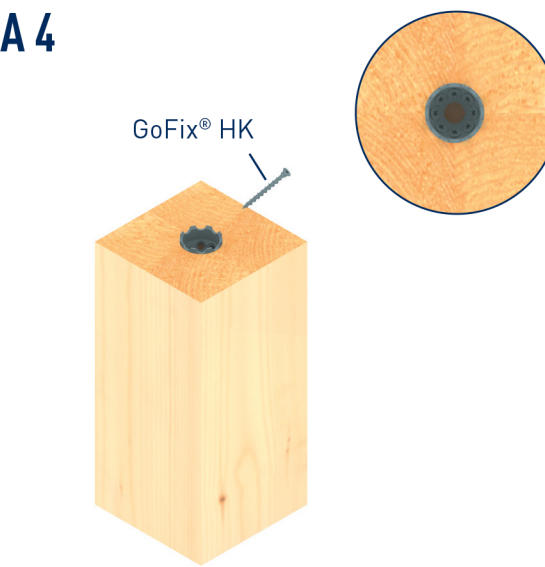
A

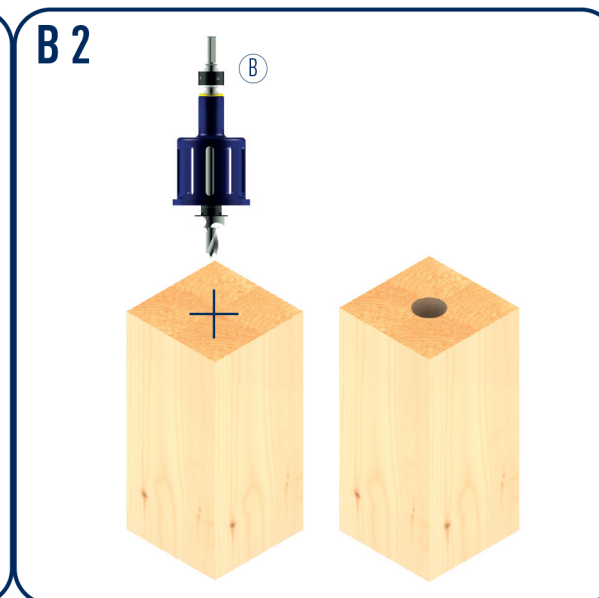
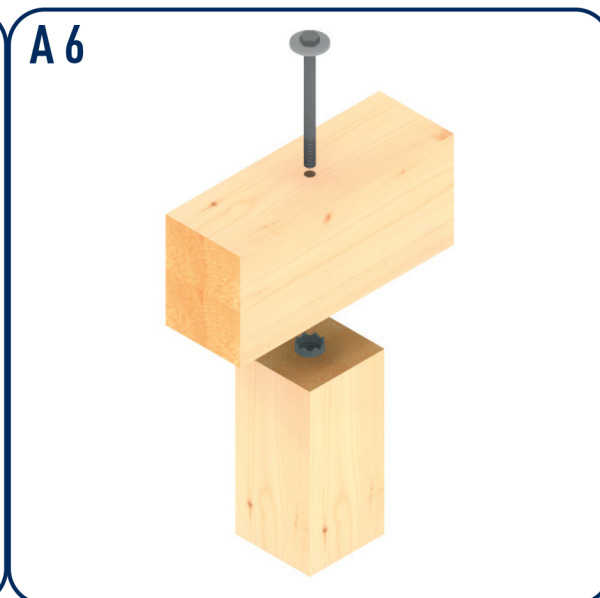
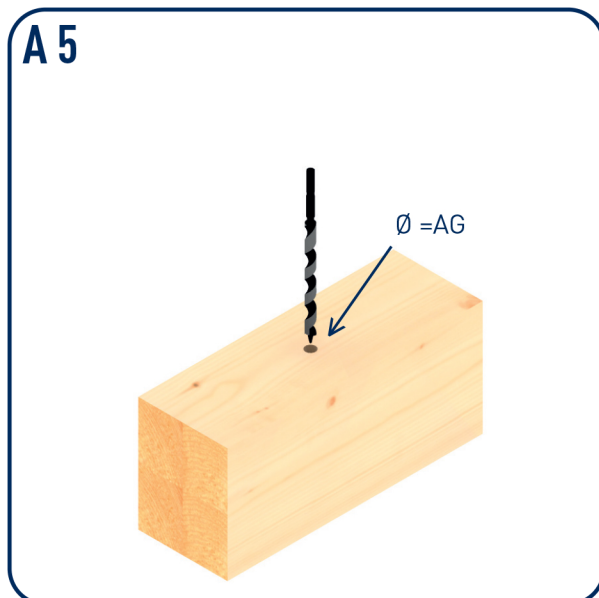
Type	[mm]
IF 304	27
IF 306	27
IF 308	27
IF 406	35
IF 408	35
IF 410	35
IF 509	45
IFD 508	45
IFD 510	45



A4

GoFix® HK



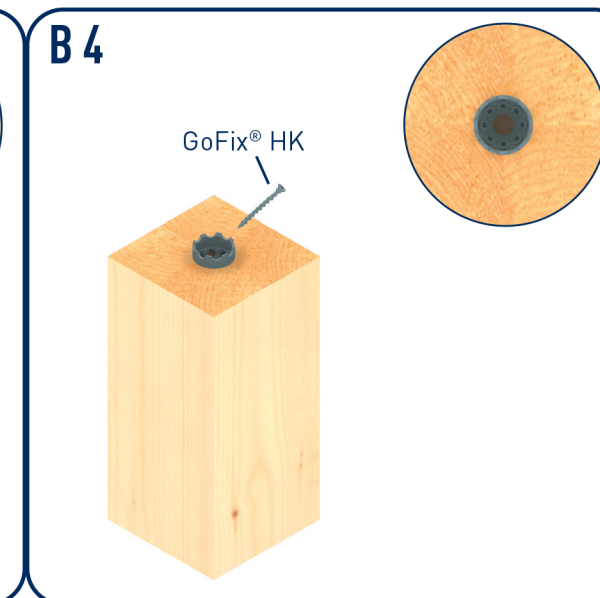


B3

IdeFix® IF / IFD

B

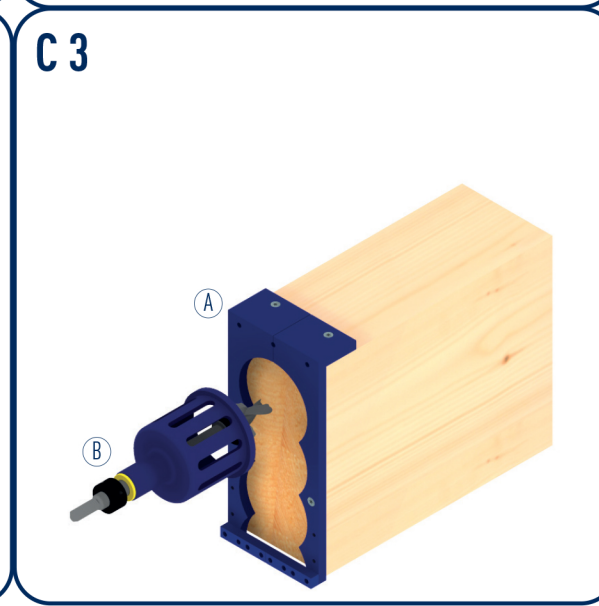
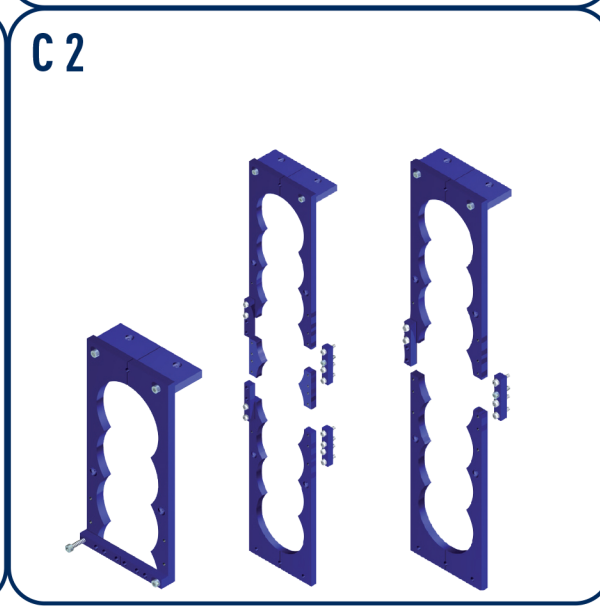
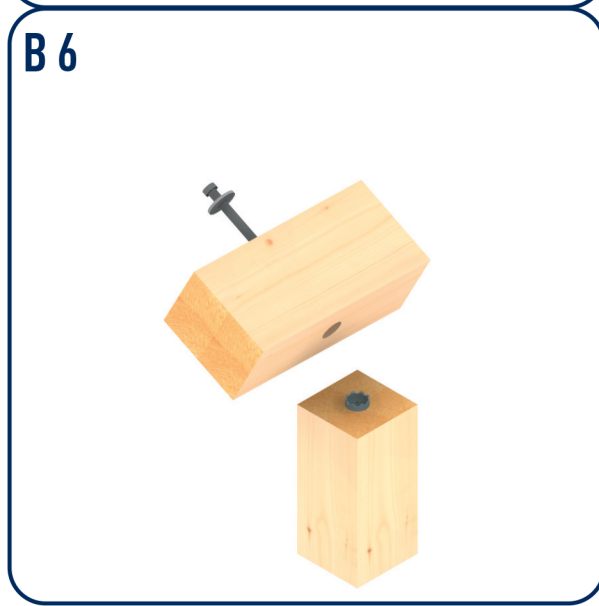
IdeFix® IF / IFD	Type	B [mm]
IF 304	IF	20
IF 306	IF	20
IF 308	IF	20
IF 406	IF	25
IF 408	IF	25
IF 410	IF	25
IF 509	IF	30
IFD 508	IFD	35
IFD 510	IFD	35



B5

Ø = AG

IdeFix® IF / IFD	Type	C [mm]
IF 304	IF	7
IF 306	IF	7
IF 308	IF	7
IF 406	IF	10
IF 408	IF	10
IF 410	IF	10
IF 509	IF	15
IFD 508	IFD	10
IFD 510	IFD	10



C4

GoFix® HK

IdeFix® IF / IFD	Type	D [mm]
IF 304	IF	20
IF 306	IF	20
IF 308	IF	20
IF 406	IF	25
IF 408	IF	25
IF 410	IF	25
IF 509	IF	30
IFD 508	IFD	35
IFD 510	IFD	35

C5

Ø = AG

IdeFix® IF / IFD	Type	E [mm]
IF 304	IF	10
IF 306	IF	10
IF 308	IF	10
IF 406	IF	15
IF 408	IF	15
IF 410	IF	15
IF 509	IF	20
IFD 508	IFD	15
IFD 510	IFD	15

